



Keeping America  
Growing Since  
1892

Hart's Mass Merchandiser Imp.  
"MI"

- 1) Attach panel support (A) to legs.  
(Clips (B) on the inside)
- 2) Hook PBC grill (C) onto slanted  
grill support (D) on the legs.
- 3) Slide the PBC grill (C) down to  
the front of the rack.
- 4) Attach sign (E) by folding all tabs  
back and under.
- 5) Insert tabs into slot on top end of  
panel (fig. F)
- 6) Hang panel (1) to left side on  
Panel support (A), Hang panel 2  
next to it.

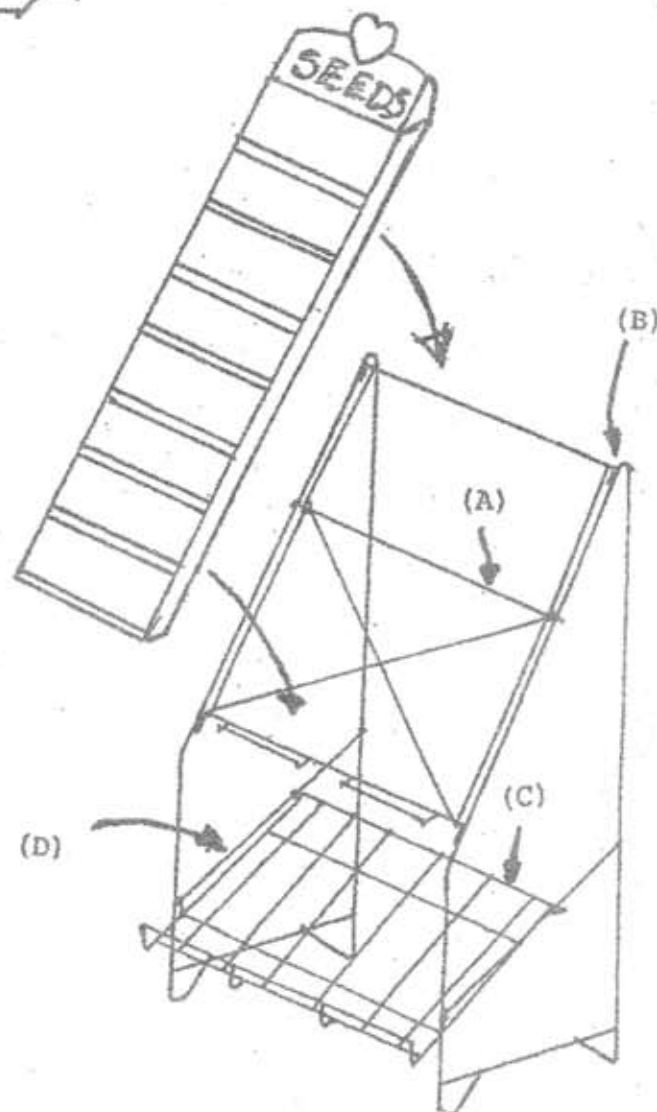
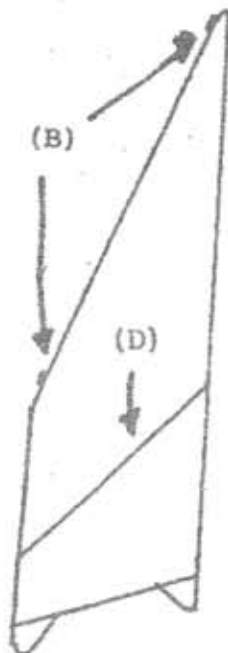
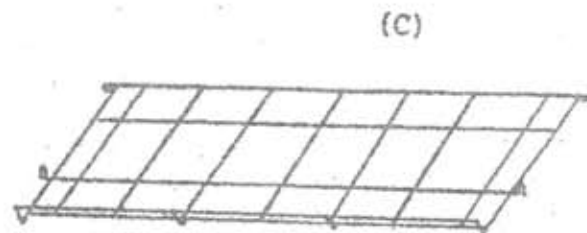
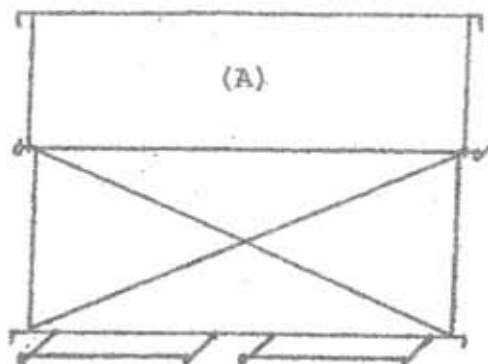


fig. (F)

