

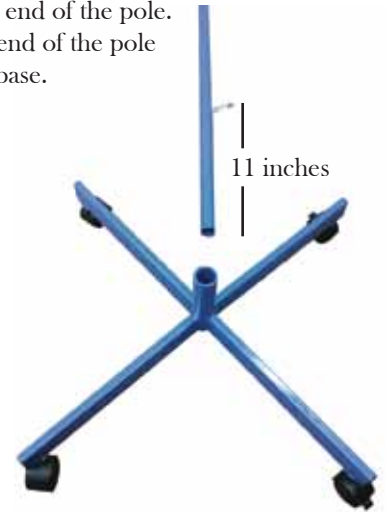
Keeping America Growing Since 1892



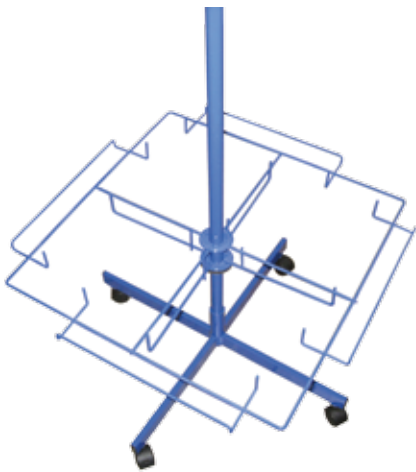
1. Screw casters into base with the provided wrench.



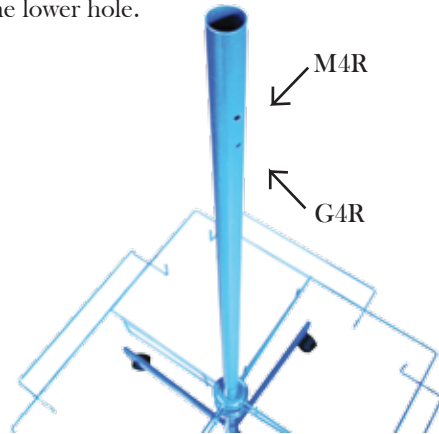
2. Place a cotter pin in the hole that is 11" from the end of the pole. Put that end of the pole into the base.



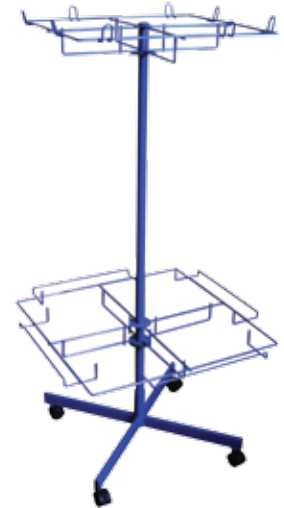
3. Slide a washer & ball bearing onto the pole. Then slide the lower panel support onto the pole as well, so it sits on top of the bearing.



4. If your packing slip says M4R(W) under DISPLAYS, place a cotter pin in the top most hole. If you have a G4R(W), place it in the lower hole.



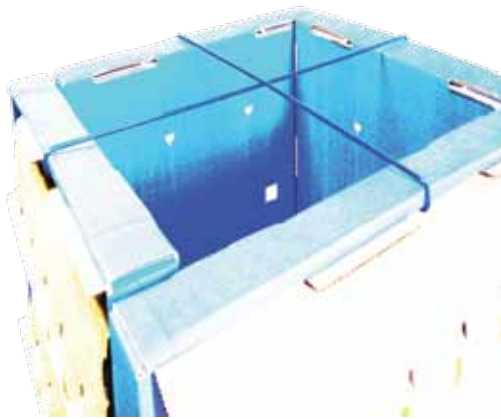
5. Slide on a washer and the top panel hanger onto the pole.



6. Hang the panel labeled "A" on the hooks of the top hanger while keeping the bottom of the panel in the lower panel support shelf.



7. Turn the display and repeat step 6 for panels "B", "C" and "D" then hook the top support cross over the top of each panel.



8. Fold the tabs on the headers back and set on top of the display. Tuck the rounded tabs into the slots at the top sides of the panels.



Instructions for 4R Display With Casters